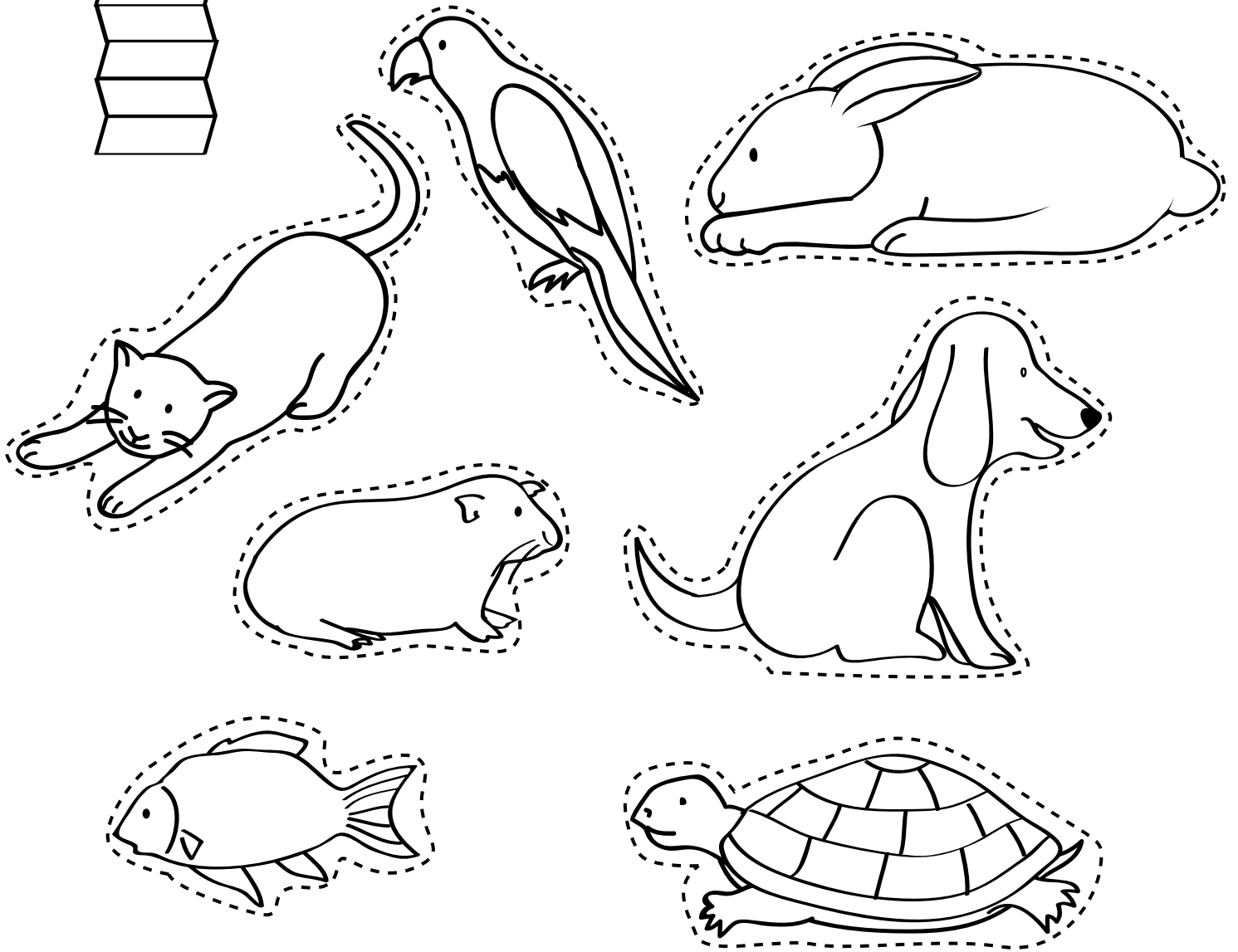
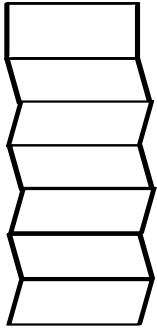


Pet Accordion Book

Cut out the pets and paste them on the correct place.
Overlap and glue the book patterns to make an accordion book.

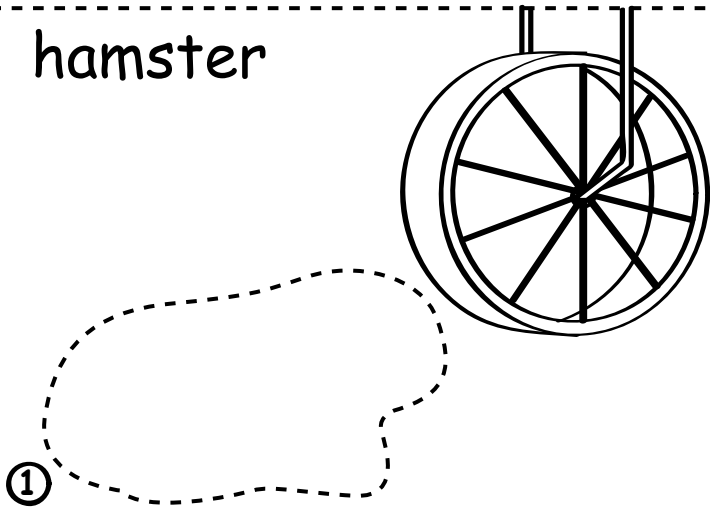


Copyright © by KIZCLUB.COM. All rights reserved.

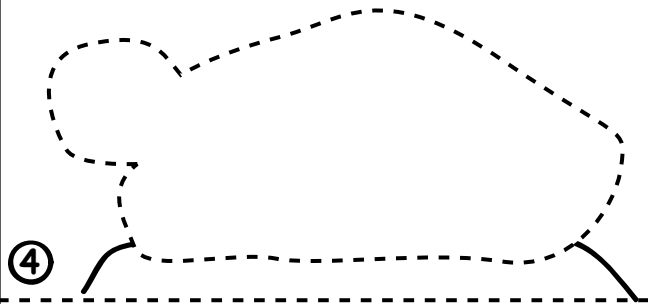
I Love Pets!

by _____

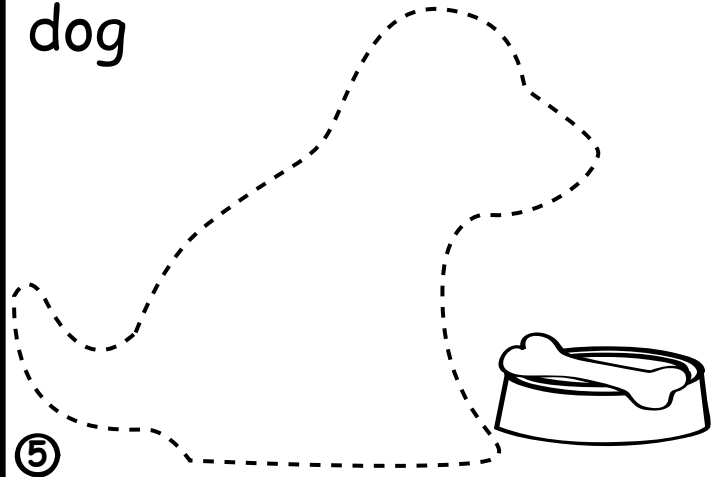
hamster



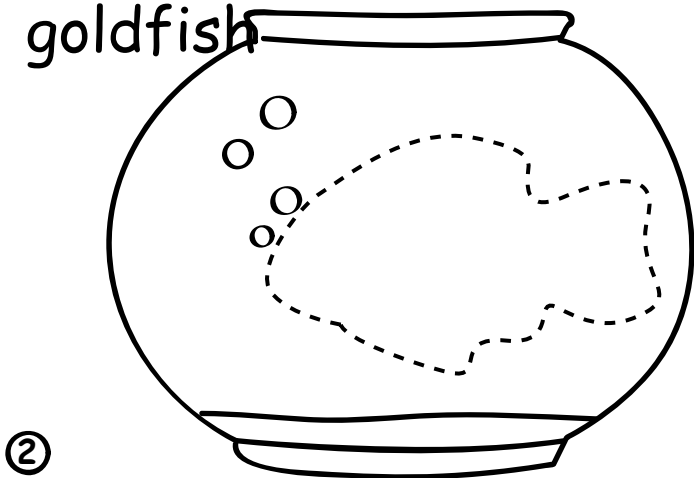
tortoise



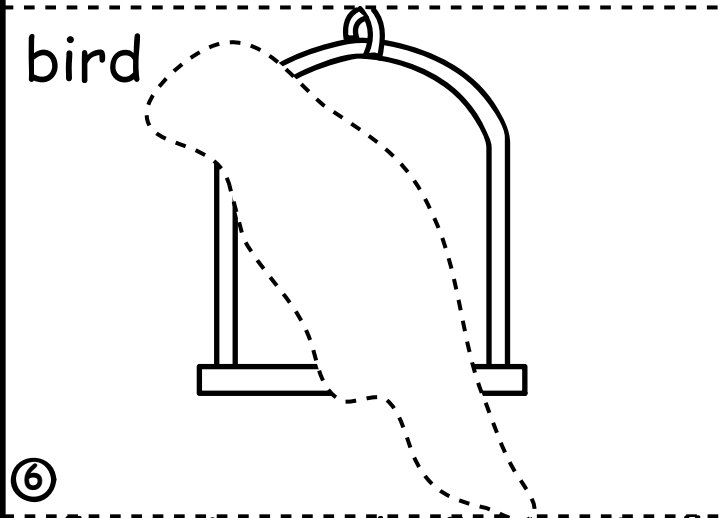
dog



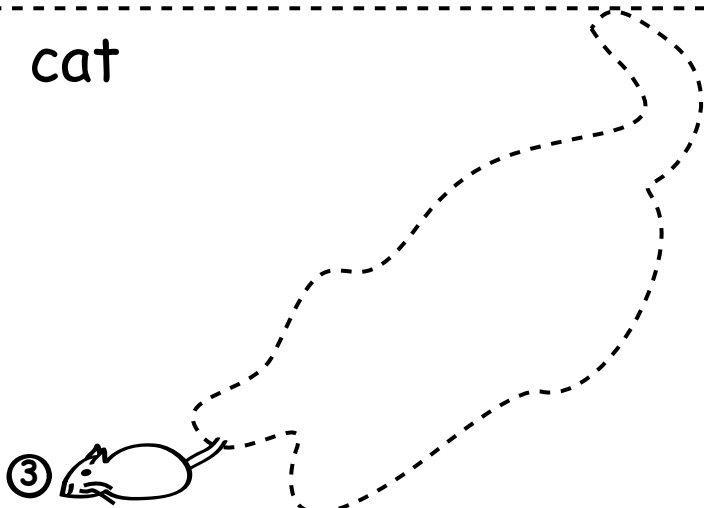
goldfish



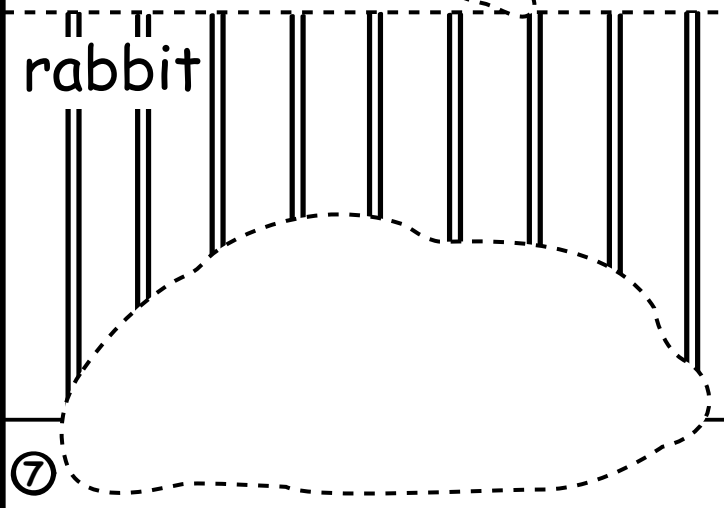
bird



cat



rabbit



GLUE